

## **Title of the Publication Goes Here**

- The title of the manuscripts should be concise, informative, and in capital letters (Only first letter needs to be upper case).

### **ABSTRACT**

Manuscripts should be written in English. Abstracts not more than 200 words for a full paper and 100 words for a short paper outlining the scope and contributions of the paper, are required.

**Keywords:** Keywords (no more than 4 words) should be given and placed below the abstract.

### **1. Heading**

- Section headings should be concise and numbered sequentially, using a decimal system for subsections.

#### **1. Heading (bold)**

##### *1.1. Heading (bold italics)*

##### *1.1.1. Heading (italics)*

- The Manuscripts should be typed single -column , double-spaced , using a font size of 11 points or larger within 30 pages. The length of a manuscript submitted should not exceed 30 single-column, double-spaced pages including figures and illustrations for a full paper.

### **1.1. Use of Units**

- The submitted manuscripts must use SI (Metric) Units in text, figures, or tables. English units may be included parenthetically

#### **1.1.1. Citation**

- Sources are cited in the text, usually in parentheses, by the author's surname, the publication year of the work cited. Full details are given in the reference list (under the heading References).

One author: (Smith 2012) or Smith (2012)

Two authors: (Smith and Jones 2012) or Smith and Jones (2012)

Three authors: (Smith, Jones, and Khan 2012) or Smith, Jones, and Khan (2012)

Four or more authors: Smith et al. (2012) or (Smith et al. 2012)

- If the reference list contains two publications in the same year that would both shorten to the same form (e.g. Smith et al. 2012), list a and b to distinguish the two references.
- References cited in tables or figure legends should be included in the reference list.

## 1.2. Table Style

Table 1. This is table caption .

- Any words in the table must upper case for the first letter.
- The table has only three lines.
- Tables should present new information rather than duplicating what is in the text. Readers should be able to interpret the table without reference to the text. Please supply editable files.

Title1	Title2	Title3
Text	Write text here	Text
Text	Write text here	Text
Text	Write text here	Text
Text	Write text here	Text
Text	Write text here	Text

## 1.3. Formula Style

- Use plain-italicize setting for symbols and use bold-italicize setting for vectors and matrices.
- All equations need to be numbered and add punctuation marks.
- Equation's E capital in the text.
- List "Nomenclature" above reference list.

$$x + y = z .$$

(1)

## 2. Reference Section

### Samples for listing your references

<b>Book</b>	<b>One author</b>	Smith, J. J. 2012. <i>Book Title</i> . London: Routledge.
		Smith, J. J. 2012. <i>Keynes, Beveridge and Beyond</i> . London: Routledge.
	<b>Two authors</b>	Smith, J. J., and J. B. Jones. 2012. <i>Book Title: The Subtitle</i> . London: Routledge.
		Smith, J. J., and J. B. Jones. 2012. <i>Keynes, Beveridge and Beyond</i> . London: Routledge.
	<b>Three authors</b>	Smith, J. J., J. B. Jones, and M. Green. 2012. <i>Book Title: The Subtitle</i> . London: Routledge.
		Smith, J. J., J. B. Jones, and M. Green. 2012. <i>Keynes, Beveridge and Beyond</i> . London: Routledge.
	<b>Four to ten authors</b>	Give all authors' names.
	<b>More than ten authors</b>	List the first seven authors followed by et al.
	<b>Chapter in a single-author book</b>	Green, M. 2012. "Chapter Title." In <i>Style Manual</i> , 33-44. London: Routledge.
	<b>Chapter in a multi-author book</b>	Jones, S. 2012. "Chapter Title." In <i>Book Title</i> , edited by J. Smith, 341–346. London: Routledge.
	<b>Organization as author</b>	University of Chicago Press. 2012. <i>The Chicago Manual of Style</i> . 16th ed. Chicago: University of Chicago Press.

	<b>Edited</b>	Smith, J., ed. 2012. <i>Collected Style Manuals</i> . London: Routledge.
		Smith, J., and J. Jones, eds. 2012. <i>Collected Style Manuals</i> . London: Routledge.
	<b>Edition</b>	University of Chicago Press. 2012. <i>The Chicago Manual of Style</i> . 16th ed. Chicago: University of Chicago Press.
	<b>Multivolume work</b>	Green, M. L. 2012. <i>Collected Correspondence</i> . Vol. 2 of <i>The Collected Correspondence of M. L. Green</i> . London: Routledge, 2000-.
		Khan, L. 2009–12. <i>Collected Works</i> . 2 vols. London: Routledge.
	<b>Translated</b>	Smith, J. 2012. <i>Collected Style Manuals</i> . Translated and edited by J. Jones. London: Routledge.
	<b>Not in English</b>	Piaget, J., and B. Inhelder. 1951. <i>La genèse de l'idée de hasard chez l'enfant</i> [The Origin of the Idea of Chance in the Child]. Paris: Presses Universitaires de France.
<b>Online</b>	Smith, J. 2012. <i>Book Title: The Subtitle</i> . London: Routledge. doi: xxxxxxxxxxxx.	
	Smith, J. 2012. <i>Book Title: The Subtitle</i> . London: Routledge. <a href="http://xxxxxxxxxx/">http://xxxxxxxxxx/</a> .	
<b>Journal</b>	<b>One author</b>	Smith, J. J. 2012. "Article Title: The Subtitle." <i>Journal Title in Full</i> 10 (1): 30–40. doi: xxxxxxxxxxxx.
		Evans, W. A. 1994. "Approaches to Intelligent Information Retrieval." <i>Information Processing and Management</i> 7 (2): 147–168. doi: 12345678900.
	<b>Two authors</b>	Smith, J., and M. Green. 2012. "Article Title: The Subtitle." <i>Journal Title in Full</i> 10 (1): 33–39. doi: xxxxxxxxxxxx.
		Smith, J. J., and L. M. Khan. 2012. "Approaches to Intelligent Information Retrieval." <i>Information Processing and Management</i> 7 (2): 147–168. doi: 12345678900.
	<b>Three authors</b>	Smith, J. J., J. P. Jones, and M. G. Green. 2012. "Approaches to Intelligent Information Retrieval." <i>Information Processing and</i>

		<i>Management</i> 7 (2): 147–168. doi: 12345678900.
	<b>Four to ten authors</b>	Give all authors' names.
	<b>More than ten authors</b>	List the first seven authors followed by et al.
	<b>Unpublished work Book or journal article</b>	Use Forthcoming instead of the date. Smith, J. in press. "Article Title: The Subtitle." <i>Journal Title in Full</i> . doi: xxxxxxxxxxxx.
		If an article is not yet accepted, treat as a thesis. Smith, J. 2008. "Title of Thesis." Name of Institution.
	<b>Translated</b>	Lisa, K. 2012. "Article Title in English." [In Hindi.] <i>Journal Title in Full</i> 10 (3): 10–29. doi: xxxxxxxxxxxx.
	<b>Other article types</b>	Smith, J. 2012. "Title of Book Review." Review of <i>Book Title</i> , by L. Khan. <i>Journal Title in Full</i> 10 (1): 33–39. doi: xxxxxxxxxxxx.
<b>Conference</b>	<b>Proceedings</b>	Individual contributions to conference proceedings are treated like chapters in multi-author books. If published in a journal, treat as an article.
		Eberhart, R. C., and Y. Shi. 1998. "Comparison Between Genetic Algorithms and Particle Swarm Optimization." In <i>IEEE Proceedings of Congress on Evolutionary Computation</i> , Anchorage, AK, 4-9 May 1998: 611-616. Washington, DC: IEEE.
	<b>-Book style</b>	Jiang, D., W. Du, and X. Chen. 1997. "GA Based Location Models for Physical Distribution Centers." In <i>Proceedings of IEEE International Conference on Intelligent Processing System</i> , edited by J. Smith, Anchorage, AK, 4-9 May 1998: vol: 6: 611-616. Washington, DC: IEEE.
		<b>-Journal style</b>
	<b>Paper</b>	Smith, J. 2012. "Title of Paper." Paper presented at the annual meeting for the Society of XXX, Oxford, 21–24 November 2012.

	<b>Poster</b>	Smith, J. 2012. "Title of Poster." Poster presented at the annual meeting for the Society of XXX, Oxford, 21–24 November 2012.
<b>Thesis</b>		Smith, J. 2008. "Title of Thesis." PhD dissertation, University of Chicago.
<b>Internet</b>	<b>Document</b>	Oxford Library. 2012. "Library Strategy." Oxford Library. Accessed June 3. <a href="http://www.ol.org/library/strategy.html">http://www.ol.org/library/strategy.html</a> .
<b>Patent</b>		Green, A. Year. <i>Patent description</i> . US Patent 12345.
		Cho, S. T. 2005. <i>Optical Perforating Apparatus and System</i> . US Patent 6,980,855.
		Cho, S. T. 1981. <i>Optical Perforating Apparatus and System</i> . European Patent Application 0021165 A1. 1981-01-07.
<b>Other reference types</b>	<b>Audio and visual media</b>	Bernstein, Leonard, dir. <i>Symphony no. 5</i> , by Dmitri Shostakovich. New York Philharmonic. CBS IM 35854.
		Auden, W.H. <i>Poems</i> . Read by the author. Spoken Arts 7137. Compact disc.
		Cleese, J., T. Gilliam, E. Idle, T. Jones, and M. Palin. "Commentaries." Disc 2. <i>Monty Python and the Holy Grail</i> , special ed. DVD. Directed by T. Gilliam, and T. Jones. Culver City, CA: Columbia Tristar Home Entertainment, 2001.
	<b>Database</b>	Name of Database (details; accessed Month Day, Year). <a href="http://xxxxxxxxxxxxxxxxxxxxxxxxxxxxx/">http://xxxxxxxxxxxxxxxxxxxxxxxxxxxxx/</a> .
	<b>Standard</b>	BSI (British Standard Institution). 2003. <i>Bituminous Mixtures Test Methods for Hot Mix Asphalt, Wheel Tracking</i> . European Standard. EN 12697-22. London: British Standard Institution.
		3GPP (3rd Generation Partnership Project). 2010. <i>Evolved Universal terrestrial Radio Access (E-UTRA); Further Advancements for E-UTRA Physical Layer Aspects (Release 9)</i> . 3GPP TR 36.814 v9.0.0. Valbonnl, France: 3rd Generation Partnership Project.
IEEE (The Institute of Electrical and Tronic Engineering). 2010. <i>Amendment to IEEE Standard for Local and Metropolitan Area</i>		

		<i>Network—Part 16: Air Interface for Fixed and Mobile Broadband Wireless Access Systems—Advanced Air Interface.</i> IEEE 802.16.1-00/01r4. New York: IEEE Standards Association.
	<b>Report</b>	Bahia, H.U., and D.A. Anderson. 1995. <i>The New Proposed Rheological Properties of Asphalt Binders: Why Are They Required and How do They Compare to Conventional Properties.</i> Report No. STP 1241. Washington, DC: American Society for Testing Materials.

### 3. Figures

- Please provide the highest quality figure format possible. Please be sure that all imported scanned material is scanned at the appropriate resolution: 1200 dpi for line art, 600 dpi for grayscale and 300 dpi for colour.
- All figures must be numbered in the order in which they appear in the manuscript (e.g. Figure 1, Figure 2). In multi-part figures, each part should be labelled (e.g. Figure 1(a), Figure 1(b)).
- The filename for a graphic should be descriptive of the graphic, e.g. Figure1, Figure2(a).

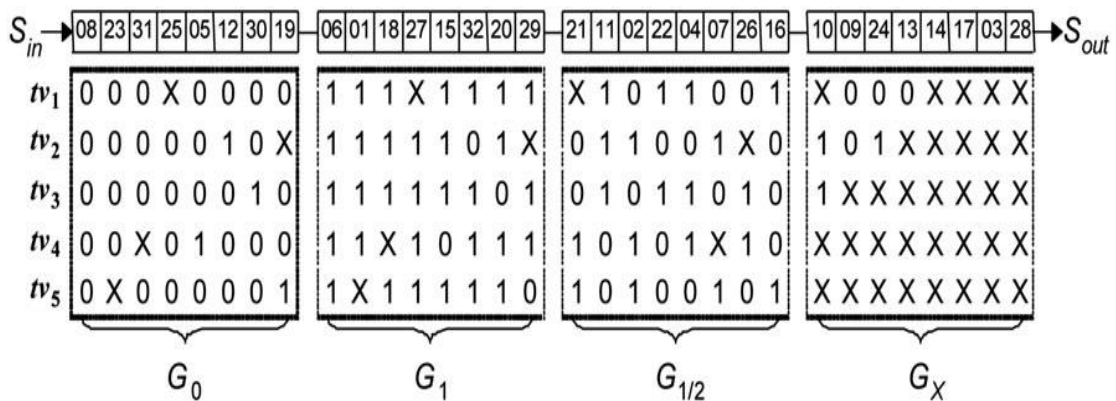


Figure 1. Test set after scan cell grouping.

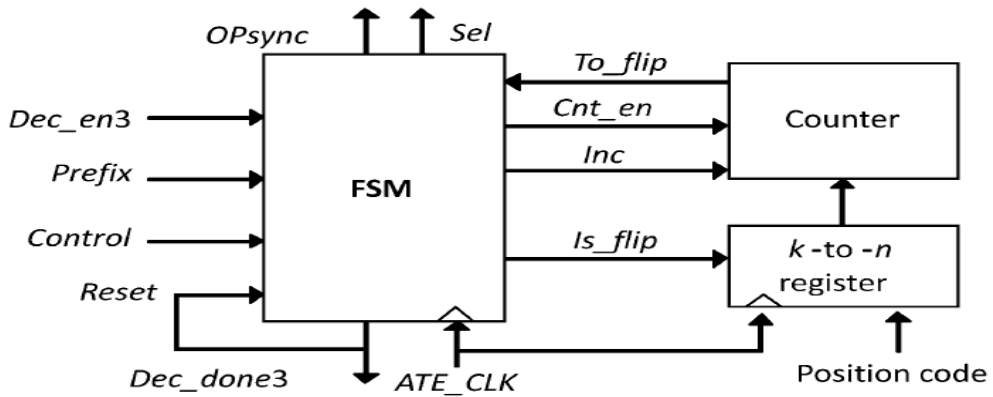


Figure 2. Test set after scan cell grouping.

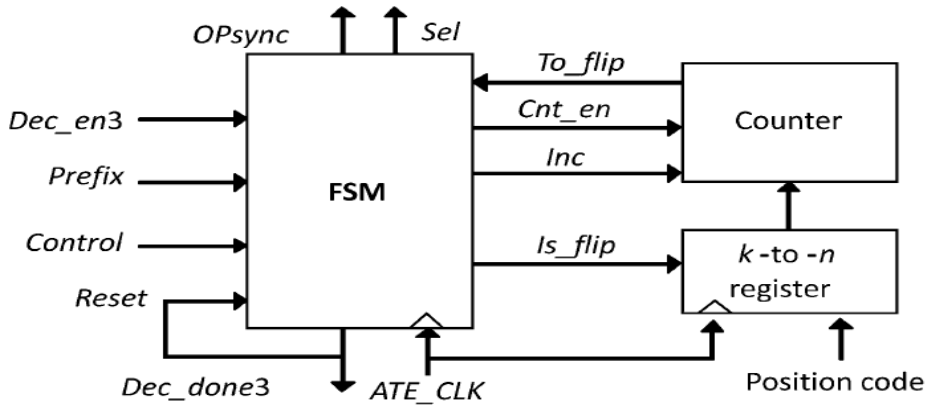


Figure 3. Test set after scan cell grouping.

#### 4. Copyright Notice

- Each manuscript must be accompanied by a Page Charge Form and a Copyright Agreement that it has been neither published nor currently submitted for publication elsewhere (<https://jcie.ntust.edu.tw/>). Your manuscript will not be processed until both of the Page Charge Form and Copyright Agreement are received
- The JCIE will apply sanction against authors who are discovered to have made duplicate submission, which prohibits the authors/co-authors of any submissions, including new submissions and submissions in reviewing process.