

## Title of the Publication Goes Here

- The title of the manuscripts should be concise, informative, and in capital letters .

The author's name and affiliation should be removed from the manuscript due to the double-blind review process.

### Instructions for authors

<http://www.tandfonline.com/action/authorSubmission?journalCode=tcie20&page=instructions#.VWu8WHIVE5s>

**Abstract.** Manuscripts should be written in English. Abstracts not more than 200 words for a full paper and 100 words for a short paper outlining the scope and contributions of the paper, are required..

**Keywords:** Keywords (no more than 4 words) should be given and placed below the abstract.

**Subject Index** A subject index should be included below the keywords. Please refer [http://jcie.ntust.edu.tw/www/pages/subjectindex/subject\\_index.htm](http://jcie.ntust.edu.tw/www/pages/subjectindex/subject_index.htm) for details.

### 1 Heading

Section headings should be concise and numbered sequentially, using a decimal system for subsections.

The Manuscripts should be typed single -column , double-spaced , using a font size of 11 points or larger within 25 pages. The length of a manuscript submitted should not exceed 25 single-column, double-spaced pages including figures and illustrations for a full paper.

## 1.1 Use of Units

The submitted manuscripts must use SI (Metric) Units in text, figures, or tables. English units may be included parenthetically

### 1.1.1 Citation

Sources are cited in the text, usually in parentheses, by the author's surname, the publication date of the work cited, and a page number if necessary. Full details are given in the reference list (under the heading References).

Jones and Green (2012) did useful work on this subject.

Khan's (2012) research is valuable.

If the reference is in parentheses, use square brackets for additional parentheses:(see, e.g.,

Khan [2012, 89] on this important subject

(Smith 2012a, 2012b; Khan 2012, 9)

Text (Smith 2012, 54) ... more text ... "quoted text" (68).

If the reference list contains two publications in the same year that would both shorten to the same form (e.g. Smith et al. 2012), cite the surnames of the first author and as many others as necessary to distinguish the two references, followed by comma and et al. (NB: you cannot use et al. unless it stands for two authors or more.)

The organization can be listed under its abbreviation so that the text citation is shorter. If this is the case, alphabetize the reference under the abbreviation rather than the full name:

In the text:

(BSI 2012)

In the reference list:

BSI (British Standards Institution) 2012. Title ...

## 1.2 Table Style

Table 1. This is table caption

Title1	Title2	Title3
Text	Write text here	Text
Text	Write text here	Text
Text	Write text here	Text
Text	Write text here	Text
Text	Write text here	Text

## 1.3 Formula Style

Use plain-italicize setting for symbols and use bold-italicize setting for vectors and matrices.

$$x + y = z . \quad (1)$$

## 2 REFERENCE SECTION

### REFERENCES

Smith, J. J. 2012. Keynes, Beveridge and Beyond. London: Routledge.

Smith, J. J., and J. B. Jones. 2012. Keynes, Beveridge and Beyond. London: Routledge.

Smith, J. J., J. B. Jones, and M. Green. 2012. Keynes, Beveridge and Beyond. London: Routledge.

More than ten authors, list the first seven authors followed by et al.

Jones, S. 2012. "Chapter Title." In Book Title, edited by J. Smith, 341–346. London: Routledge.

Smith, J. J., J. P. Jones, and M. G. Green. 2012. "Approaches to Intelligent Information Retrieval." *Information Processing and Management* 7 (2): 147–168. doi: 12345678900.

Eberhart, R. C., and Y. Shi. 1998. "Comparison Between Genetic Algorithms and Particle Swarm Optimization." In *IEEE Proceedings of Congress on Evolutionary Computation*, Anchorage, AK, 4-9 May 1998: 611-616. Washington, DC: IEEE.

Jiang, D., W. Du, and X. Chen. 1997. "GA Based Location Models for Physical Distribution Centers." In *Proceedings of IEEE International Conference on Intelligent Processing System*, edited by J. Smith, Anchorage, AK, 4-9 May 1998: vol: 6: 611-616. Washington, DC: IEEE.

Oxford Library. 2012. "Library Strategy." Oxford Library. Accessed June 3. <http://www.ol.org/library/strategy.html>.

Cho, S. T. 1981. Optical Perforating Apparatus and System. European Patent Application 0021165 A1. 1981-01-07.

IEEE (The Institute of Electrical and Tronic Engineering). 2010. Amendment to IEEE Standard for Local and Metropolitan Area Network–Part 16: Air Interface for Fixed and Mobile Broadband Wireless Access Systems–Advanced Air Interface. IEEE 802.16.1-00/01r4. New York: IEEE Standards Association.

Bahia, H.U., and D.A. Anderson. 1995. The New Proposed Rheological Properties of Asphalt Binders: Why Are They Required and How do They Compare to Conventional Properties. Report No. STP 1241. Washington, DC: American Society for Testing Materials.

## **Figures**

Please provide the highest quality figure format possible. Please be sure that all imported scanned material is scanned at the appropriate resolution: 1200 dpi for line art, 600 dpi for grayscale and 300 dpi for colour.

Figures must be saved separate to text. Please do not embed figures in the manuscript file.

All figures must be numbered in the order in which they appear in the manuscript (e.g. Figure 1, Figure 2). In multi-part figures, each part should be labelled (e.g. Figure 1(a), Figure 1(b)).

The filename for a graphic should be descriptive of the graphic, e.g. Figure1, Figure2a.

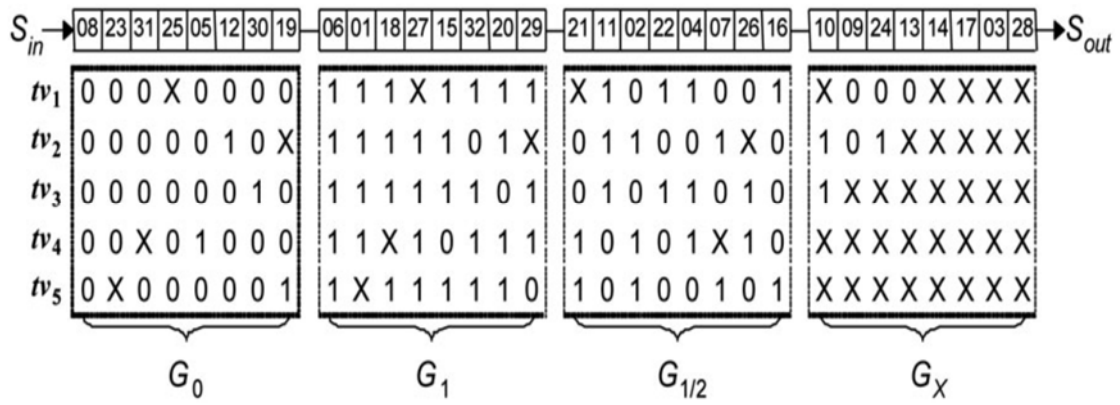


Figure 1. Test set after scan cell grouping.

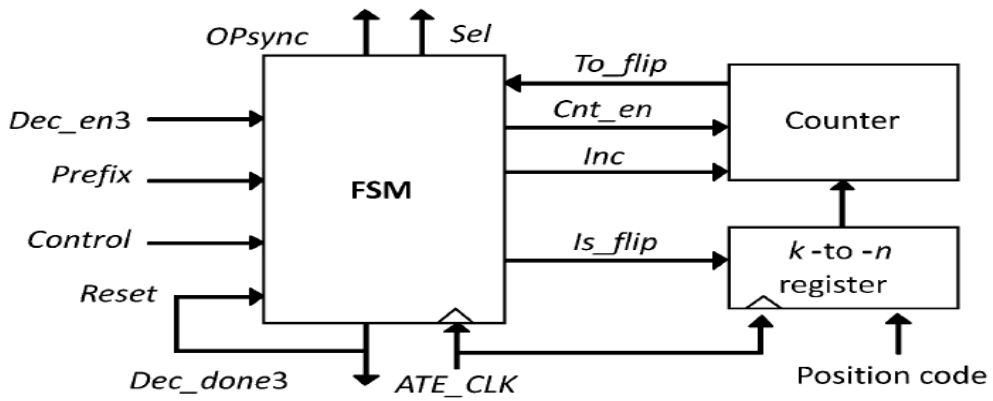


Figure 2. Test set after scan cell grouping.

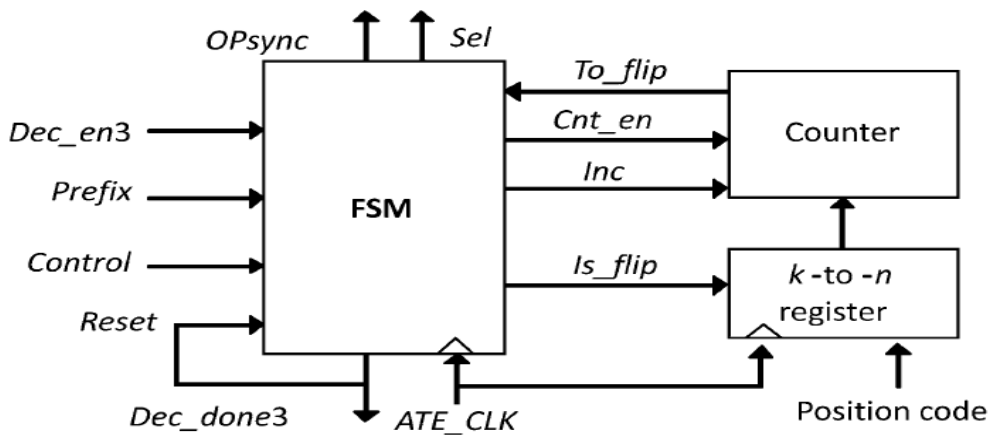


Figure 3. Test set after scan cell grouping.

## Copyright Notice

Each manuscript must be accompanied by a Page Charge Form

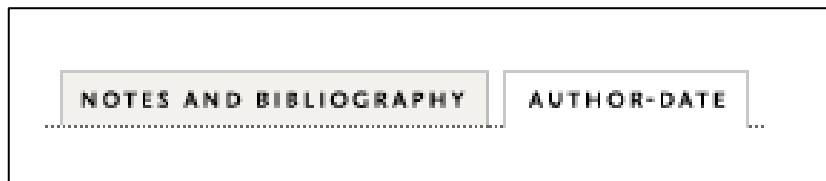
([http://jcie.ntust.edu.tw/www/public/journals/1/Page\\_Charge\\_Form.doc](http://jcie.ntust.edu.tw/www/public/journals/1/Page_Charge_Form.doc)) and a Copyright Agreement ([http://jcie.ntust.edu.tw/www/public/journals/1/Copyright\\_Agreement\\_new.doc](http://jcie.ntust.edu.tw/www/public/journals/1/Copyright_Agreement_new.doc))

that it has been neither published nor currently submitted for publication elsewhere. Please sign and fax them back (Fax No: +886-2-27332789). Your manuscript will not be processed until both of the Page Charge Form and Copyright Agreement are received

The JCIE will apply sanction against authors who are discovered to have made duplicate submission, which prohibits the authors/co-authors of any submissions, including new submissions and submissions in reviewing process.

## Taylor & Francis Standard Reference Style: Chicago author-date

The author-date system is widely used in the physical, natural and social sciences. For full information on this style, see *The Chicago Manual of Style* (16th edn) or [http://www.chicagomanualofstyle.org/tools\\_citationguide.html](http://www.chicagomanualofstyle.org/tools_citationguide.html) (click on the tab marked notes and bibliography to ensure you are using the right style):



### Contents of this guide

[References in the text](#)

[Tables and figures](#)

[Reference list](#)

[Book](#)

[Journal](#)

[Conference](#)

[Thesis](#)

[Unpublished work](#)

[Internet](#)

[Newspaper or magazine](#)

[Report](#)

[Personal communication](#)

[Other reference types](#)

In the text	
Placement	Sources are cited in the text, usually in parentheses, by the author's surname, the publication date of the work cited, and a page number if necessary. Full details are given in the reference list (under the heading References).



	<p>Place the reference at the appropriate point in the text; normally just before punctuation. If the author's name appears in the text, it is not necessary to repeat it, but the date should follow immediately:</p> <p>Jones and Green (2012) did useful work on this subject.</p> <p>Khan's (2012) research is valuable.</p> <p>If the reference is in parentheses, use square brackets for additional parentheses:</p> <p>(see, e.g., Khan [2012, 89] on this important subject).</p>
Within the same parentheses	<p>Separate the references with semicolons. The order of the references is up to the author, so this can be alphabetical, chronological, or in order of importance. If citing more than one work by an author, do not repeat the name:</p> <p>(Smith 2010, 2012; Khan 2012)</p> <p>(Smith 2010, 2012, 84; Khan 2012, 54–60)</p> <p>(Smith 2012a, 2012b, 82; Khan 2012, 9)</p>
Repeat mentions in the same paragraph	<p>Place the parenthetical citation after the last reference in the paragraph or at the end of the paragraph before the final full stop (period). If the reference is to a different page, however, put the full citation at the first reference and then include only the page number at the next mention:</p> <p>Text (Smith 2012, 54) ... more text ... "quoted text" (68).</p>
With a quotation	<p>Citation of the source normally follows a quotation, but may be placed before the quotation to allow the date to appear with the author's name:</p> <p>As Smith (2012, 67) points out, "quoted text."</p> <p>As Smith points out, "quoted text" (2012, 67).</p> <p>After a displayed quotation, the source appears in parentheses after the final punctuation:</p>

	end of displayed quotation. (Smith 2012, 67)
Page number or other locator	(Smith 2012, 6–10) (Jones 2012, vol. 2)
One author	Smith 2012 or (Smith 2012)
Two authors	Smith and Jones 2012 or (Smith and Jones 2012)
Three authors	Smith, Jones, and Khan 2012 or (Smith, Jones, and Khan 2012)
Four or more authors	Smith et al. (2012) (Smith et al. 2012)  If the reference list contains two publications in the same year that would both shorten to the same form (e.g. Smith et al. 2012), cite the surnames of the first author and as many others as necessary to distinguish the two references, followed by comma and et al. (NB: you cannot use et al. unless it stands for two authors or more.)
Authors with same surname	G. Smith 2012 and F. Smith 2008
No author	Cite first few words of title (in quotation marks or italics depending on journal style for that type of work), plus the year.
Groups of authors that would shorten to the same form	Cite the surnames of the first author and as many others as necessary to distinguish the two references, followed by comma and et al.
Organization as author	The organization can be listed under its abbreviation so that the text citation is shorter. If this is the case, alphabetize the reference under the abbreviation rather than the full name:  In the text:  (BSI 2012)  In the reference list:  BSI (British Standards Institution) 2012. <i>Title ...</i>
Author with two works in the	Put a, b, c after the year (Chen 2011a, 2011b)

same year	
Secondary source	When it is not possible to see an original document, cite the source of your information on it; do not cite the original assuming that the secondary source is correct.  Smith's diary (as quoted in Khan 2012)
Classical work	Classical primary source references are given in the text, not in the reference list.
Personal communication	References to personal communications are cited only in the text:  A. Colleague (personal communication, April 12, 2011)
Unknown date	(Author, n.d.) (Author, forthcoming)
Two dates	List the original date first, in square brackets:  Author ([1890] 1983)  Multivolume works:  (Author 1951–71)
<b>Notes</b>	Endnotes should be kept to a minimum. Any references cited in notes should be included in the reference list.
<b>Tables and figures</b>	References cited in tables or figure legends should be included in the reference list.
<b>Reference list</b>	Use the heading References. Do not use a 3-em dash to replace author names.
Order	Alphabetically by last name of authors, and then alphabetically by title for two or more books by the same author (not chronologically).
Form of author name	Generally, use the form of the author name as it appears on the title page, but this should be made consistent within the bibliography, so convert full name to initials if necessary.

2016), Figure 1 shows the air quality index (AQI 2017) of the most densely populated parts of Asia at 7:24 pm on 22 January 2017. According to [AirNow \(2016\)](#), an AQI from 0 to 50 denotes good air quality, from 51 to 100 denotes moderate air quality, from 101 to 150 denotes air quality that is unhealthy for sensitive groups, and of higher than 150 denotes air quality that is unhealthy for everyone. If more people travel by electric vehicles (EVs) in metropolitan areas, air pollution and greenhouse gas emissions in these areas can be alleviated. Generally, any vehicle that uses one or more electric motors for propulsion can be called an EV ([Wikipedia 2017a](#)). In this paper, our discussion of EVs is restricted to road EVs only, especially to the road plug-in EVs (PEVs). A PEV is any motor vehicle that can be recharged from an external source of electricity. The electricity stored in the rechargeable battery packs drives or contributes to drive the wheels ([Wikipedia 2017b](#)). Although the cost ([Morton, Anable, and Nelson 2016](#)), cruising range ([Bonges and Lusk 2016](#); [Yang, Liu, and Tsai 2008](#)), and recharging time ([Hardman, Shiu, and Steinberger-Wilckens 2016](#)) of PEVs are challenges, many other studies ([Axsen, Goldberg, and Bailey 2016](#); [Bunce, Harris, and Burgess 2014](#); [Hackbarth and Madlener 2016](#); [Hagman et al.](#)

increasing the cruising range of plug-in battery EVs (PBEVs). Tesla's Model 3 is available in the United States in 2017 and will be available in Asia in 2018. The Model 3's cruising range can reach 215 miles, and its price is US\$35,000 ([Tesla Motors 2016](#)), which is much lower than that of Tesla's previous models. Although US\$35,000 is still higher than the acceptable EV price range of US\$22,000–27,500 ([Larson et al. 2014](#)), we believe that the entire EV ecosystem developed together with Tesla will enable the availability of mid-range-priced EVs in the near future ([Tran et al. 2013](#)).

Building a charging network infrastructure is helpful for promoting PEVs ([Bakker and Trip 2013](#)). A few parking spaces are equipped with free chargers at workplaces in California; however, public charging services being free and widely offered will lead to considerable budgeting problems. According to [Nicholas and Tal \(2013\)](#), spaces equipped with free chargers are consistently in such a high demand that most PEV drivers seldom have the chance to charge their PEVs at those spaces. Furthermore, the researchers also indicated that the total mileage of a PEV in California does not increase significantly, even if free charging services are provided at many

## Samples for listing your references

<b>Book</b>	<b>One author</b>	Smith, J. J. 2012. <i>Book Title</i> . London: Routledge.
		Smith, J. J. 2012. <i>Keynes, Beveridge and Beyond</i> . London: Routledge.
	<b>Two authors</b>	Smith, J. J., and J. B. Jones. 2012. <i>Book Title: The Subtitle</i> . London: Routledge.
		Smith, J. J., and J. B. Jones. 2012. <i>Keynes, Beveridge and Beyond</i> . London: Routledge.
	<b>Three authors</b>	Smith, J. J., J. B. Jones, and M. Green. 2012. <i>Book Title: The Subtitle</i> . London: Routledge.
		Smith, J. J., J. B. Jones, and M. Green. 2012. <i>Keynes, Beveridge and Beyond</i> . London: Routledge.
	<b>Four to ten authors</b>	Give all authors' names.
	<b>More than ten authors</b>	List the first seven authors followed by et al.
	<b>Chapter in a single-author book</b>	Green, M. 2012. "Chapter Title." In <i>Style Manual</i> , 33-44. London: Routledge.
	<b>Chapter in a multi-author book</b>	Jones, S. 2012. "Chapter Title." In <i>Book Title</i> , edited by J. Smith, 341–346. London: Routledge.
	<b>Organization as author</b>	University of Chicago Press. 2012. <i>The Chicago Manual of Style</i> . 16th ed. Chicago: University of Chicago Press.
	<b>Edited</b>	Smith, J., ed. 2012. <i>Collected Style Manuals</i> . London: Routledge.
		Smith, J., and J. Jones, eds. 2012. <i>Collected Style Manuals</i> . London: Routledge.
	<b>Edition</b>	University of Chicago Press. 2012. <i>The Chicago Manual of Style</i> . 16th ed. Chicago: University of Chicago Press.
	<b>Multivolume work</b>	Green, M. L. 2012. <i>Collected Correspondence</i> . Vol. 2 of <i>The Collected Correspondence of M. L. Green</i> . London: Routledge, 2000-.
		Khan, L. 2009–12. <i>Collected Works</i> . 2 vols. London: Routledge.
	<b>Translated</b>	Smith, J. 2012. <i>Collected Style Manuals</i> . Translated and edited by J. Jones. London: Routledge.
<b>Not in English</b>	Piaget, J., and B. Inhelder. 1951. <i>La genèse de l'idée de hasard chez l'enfant</i> [The Origin of the Idea of Chance in the Child]. Paris: Presses Universitaires de France.	
<b>Online</b>	Smith, J. 2012. <i>Book Title: The Subtitle</i> . London: Routledge. doi: xxxxxxxxxxxx.	
	Smith, J. 2012. <i>Book Title: The Subtitle</i> . London: Routledge. http://xxxxxxxxx/.	
<b>Journal</b>	<b>One author</b>	Smith, J. J. 2012. "Article Title: The Subtitle." <i>Journal Title in Full</i> 10 (1): 30–40. doi: xxxxxxxxxxxx.
		Evans, W. A. 1994. "Approaches to Intelligent Information Retrieval." <i>Information</i>

## Samples for listing your references

		<i>Processing and Management</i> 7 (2): 147–168. doi: 12345678900.
<b>Two authors</b>		Smith, J., and M. Green. 2012. “Article Title: The Subtitle.” <i>Journal Title in Full</i> 10 (1): 33–39. doi: xxxxxxxxxxxx.
		Smith, J. J., and L. M. Khan. 2012. “Approaches to Intelligent Information Retrieval.” <i>Information Processing and Management</i> 7 (2): 147–168. doi: 12345678900.
<b>Three authors</b>		Smith, J. J., J. P. Jones, and M. G. Green. 2012. “Approaches to Intelligent Information Retrieval.” <i>Information Processing and Management</i> 7 (2): 147–168. doi: 12345678900.
<b>Four to ten authors</b>		Give all authors’ names.
<b>More than ten authors</b>		List the first seven authors followed by et al.
<b>Unpublished work Book or journal article</b>		Use Forthcoming instead of the date. Smith, J. in press. “Article Title: The Subtitle.” <i>Journal Title in Full</i> . doi: xxxxxxxxxxxx.
		If an article is not yet accepted, treat as a thesis. Smith, J. 2008. “Title of Thesis.” Name of Institution.
<b>Translated</b>		Lisa, K. 2012. “Article Title in English.” [In Hindi.] <i>Journal Title in Full</i> 10 (3): 10–29. doi: xxxxxxxxxxxx.
<b>Other article types</b>		Smith, J. 2012. “Title of Book Review.” Review of <i>Book Title</i> , by L. Khan. <i>Journal Title in Full</i> 10 (1): 33–39. doi: xxxxxxxxxxxx.
<b>Conference</b>	<b>Proceedings</b>	Individual contributions to conference proceedings are treated like chapters in multi-author books. If published in a journal, treat as an article.
		Eberhart, R. C., and Y. Shi. 1998. “Comparison Between Genetic Algorithms and Particle Swarm Optimization.” In <i>IEEE Proceedings of Congress on Evolutionary Computation</i> , Anchorage, AK, 4-9 May 1998: 611-616. Washington, DC: IEEE.
	<b>-Book style</b>	Jiang, D., W. Du, and X. Chen. 1997. “GA Based Location Models for Physical Distribution Centers.” In <i>Proceedings of IEEE International Conference on Intelligent Processing System</i> , edited by J. Smith, Anchorage, AK, 4-9 May 1998: vol: 6: 611-616. Washington, DC: IEEE.
		Lighthill, M. J., and J. B. Whitham. 1955. “On Kinematic Waves. I. Flow Movement in Long Rivers. II. A Theory of Traffic Flow on Long Crowded Roads.” <i>Proceedings of Royal Society</i> 229 (1178): 281-345.
	<b>Paper</b>	Smith, J. 2012. “Title of Paper.” Paper presented at the annual meeting for the Society of XXX, Oxford, 21–24 November 2012.
	<b>Poster</b>	Smith, J. 2012. “Title of Poster.” Poster presented at the annual meeting for the Society

## Samples for listing your references

		of XXX, Oxford, 21–24 November 2012.
<b>Thesis</b>		Smith, J. 2008. “Title of Thesis.” PhD dissertation, University of Chicago.
<b>Internet</b>	<b>Document</b>	Oxford Library. 2012. “Library Strategy.” Oxford Library. Accessed June 3. <a href="http://www.ol.org/library/strategy.html">http://www.ol.org/library/strategy.html</a> .
<b>Patent</b>		Green, A. Year. <i>Patent description</i> . US Patent 12345.
		Cho, S. T. 2005. <i>Optical Perforating Apparatus and System</i> . US Patent 6,980,855.
		Cho, S. T. 1981. <i>Optical Perforating Apparatus and System</i> . European Patent Application 0021165 A1. 1981-01-07.
<b>Other reference types</b>	<b>Audio and visual media</b>	Bernstein, Leonard, dir. <i>Symphony no. 5</i> , by Dmitri Shostakovich. New York Philharmonic. CBS IM 35854.
		Auden, W.H. <i>Poems</i> . Read by the author. Spoken Arts 7137. Compact disc.
		Cleese, J., T. Gilliam, E. Idle, T. Jones, and M. Palin. “Commentaries.” Disc 2. <i>Monty Python and the Holy Grail</i> , special ed. DVD. Directed by T. Gilliam, and T. Jones. Culver City, CA: Columbia Tristar Home Entertainment, 2001.
	<b>Database</b>	Name of Database (details; accessed Month Day, Year). <a href="http://xxxxxxxxxxxxxxxxxxxxxxxxxx/">http://xxxxxxxxxxxxxxxxxxxxxxxxxx/</a> .
	<b>Standard</b>	BSI (British Standard Institution). 2003. <i>Bituminous Mixtures Test Methods for Hot Mix Asphalt, Wheel Tracking</i> . European Standard. EN 12697-22. London: British Standard Institution.
		3GPP (3rd Generation Partnership Project). 2010. <i>Evolved Universal terrestrial Radio Access (E-UTRA); Further Advancements for E-UTRA Physical Layer Aspects (Release 9)</i> . 3GPP TR 36.814 v9.0.0. Valbonnl, France: 3rd Generation Partnership Project.
		IEEE (The Institute of Electrical and Tronic Engineering). 2010. <i>Amendment to IEEE Standard for Local and Metropolitan Area Network–Part 16: Air Interface for Fixed and Mobile Broadband Wireless Access Systems–Advanced Air Interface</i> . IEEE 802.16.1-00/01r4. New York: IEEE Standards Association.
<b>Report</b>	Bahia, H.U., and D.A. Anderson. 1995. <i>The New Proposed Rheological Properties of Asphalt Binders: Why Are They Required and How do They Compare to Conventional Properties</i> . Report No. STP 1241. Washington, DC: American Society for Testing Materials.	

## Nomenclature

$ACC$	accuracy of prediction
bpc	bits per non-zero DCT coefficients
$d$	$\log_2$ of number of features in the subset
$h$	direction
$I$	pixel value
$m$ and $n$	dimensions of image matrix
$N$	negative case
$p$	ANOVA assessment value
$P$	positive case
$QF$	quality factor
$T$	threshold level
$TN$	the number of true negative cases
$TP$	the number of true positive cases
$u$ and $v$	two variables between $-T$ and $T$
$x_i$	the value of the independent variable in the data
$x_j$	the value of the independent variable for which one seeks an estimate
$\delta$	Dirac delta function

## References

- Chang, C. C., and C. J. Lin. 2001. *LIBSVM: A Library for Support Vector Machines*. Department Computer Science & Information Engineering.
- Chen, C., Y. Q. Shi, W. Chen, and G. Xuan. 2006. "Statistical Moments Based Universal Steganalysis Using JPEG-2D Array and 2-D Characteristic Function." In *Proceedings of IEEE International Conference on Image Processing*, Atlanta, GA, 8–11 October 2006: 105–108. New York: IEEE.
- Chen, B., and G. W. Wornell. 2001. "Quantization Index Modulation: A Class of Provably Good Methods for Digital Watermarking and Information Embedding." *IEEE Transactions on Information Theory* 47 (4): 1423–1443. doi:10.1109/18.923725.
- Farid, H. 2002. "Detecting Hidden Messages Using Higher-order Statistical Models." In *Proceedings of IEEE International Conference on Image Processing*, Rochester, NY, 22–25 September 2002: 905–908. New York: IEEE.
- Fridrich, J., M. Goljan, and D. Soukal. 2004. "Perturbed Quantization Steganography Using Wet Paper Codes." In *Proceedings of the 2004 Workshop on Multimedia and Security*, New York, 20–21 September 2004: 4–15. New York: ACM.
- Gresh, B. 2010. *Natural Resources Conservation Service (NRCS) Photo Gallery*. Washington, D.C.: United States Department of Agriculture (USDA). <http://photogallery.nrcs.usda.gov/res/sites/photogallery/>.
- Hsieh, S. P., and C.-H. Kao. 2010. "A Study of the Feature-based Digital Image Stabilization System." *Journal of the Chinese Institute of Engineers* 33 (4): 635–641. doi:10.1080/02533839.2010.9671651.
- Hsu, C. W., C. C. Chang, and C. J. Lin. 2003. *A Practical Guide to Support Vector Classification*. Taiwan: Department of Computer Science and Information Engineering, National Taiwan University.
- Kessler, G. C., and C. Hosmer. 2011. "An Overview of Steganography." In *Advances in Computers*, edited by M. V. Zelkowitz, 83 (1): 51–107. doi: 10.1016/B978-0-12-385510-7.00002-3.
- Leon-Garcia, A. 1994. *Probability and Random Processes for Electrical Engineering*. 2nd ed. Reading, MA: Addison Wesley.
- Liaw, C., C. T. Tsai, C. H. Ko, C. C. Lin, and C. S. Chiang. 2012. "Image Watermarking Through Attack Simulation Based on Block Classification." *Journal of the Chinese Institute of Engineers* 35 (7): 921–938. doi:10.1080/02533839.2012.708556.
- Pevny, T., P. Bas, and J. Fridrich. 2009. "Steganalysis by Subtractive Pixel Adjacency Matrix." In *Proceedings of the 11th ACM Multimedia & Security Workshop on Multimedia and security*, Princeton, NJ, 7–8 September 2009: 75–84. New York: ACM.
- Provos, N., and P. Honeyman. 2003. "Hideand Seek: An Introduction to Steganography." *IEEE Security & Privacy* 1 (3): 32–44. doi:10.1109/MSECP.2003.1203220.
- Qiao, M., A. H. Sung, and Q. Z. Liu. 2013. "MP3 Audio Steganalysis." *Information Sciences* 231 (1): 123–134. doi: 10.1016/j.ins.2012.10.013.
- Rencher, A. C. 1995. *Methods of Multivariate Analysis*. New York: Wiley.
- Sallee, P. 2003. "Model-based Steganography." In *Proceedings 2nd International Workshop Digital Watermarking*, Seoul, Korea, 20–22 October 2003: 154–167. New York: Springer.
- Sarkar, A., K. Solanki, B. S. Manjunath, E. J. Delp, and P. W. Wong, eds. 2008. "Further Study on YASS: Steganography Based on Randomized Embedding to Resist Blind Steganalysis." In *Proceedings of Security, Forensics, Steganography, and Watermarking of Multimedia Contents*, San Jose, CA, 27–31 January 2008: 16–31. New York: SPIE.
- Shi, Y. Q., C. Chen, and W. Chen. 2006. "A Markov Process Based Approach to Effective Attacking JPEG Steganography." In *Proceedings of 8th International Workshop Information Hiding*, Alexandria, VA, 10–12 July 2006: 249–264. New York: Springer-Verlag.
- Shi, Y. Q., G. Xuan, D. Zou, J. Gao, C. Yang, Z. Zhang, P. Chai, W. Chen, and C. Chen. 2005. "Steganalysis Based on Moments of Characteristic Functions Using Wavelet Decomposition, Prediction-error Image, and Neural Network." In *IEEE International Conference on Multimedia and Expo (ICME 2005)*, Amsterdam, Netherlands, 6–8 July 2005: 81–84. New York: IEEE..
- Solanki, K., A. Sarkar, and B. S. Manjunath. 2007. "YASS: Yet Another Steganographic Scheme that Resists Blind Steganalysis." In *Proceedings of 9th International Workshop Information Hiding*, Saint Malo, France, 11–13 June 2007: 1–5. New York: Springer-Verlag.
- Sullivan, K., U. Madhow, S. Chandrasekaran, and B. S. Manjunath. 2005. "Steganalysis of Spread Spectrum Data Hiding Exploiting Cover Memory." In *17th Annual Symposium on Electronic Imaging Science and Technology*, San Jose, CA, 16–20 January 2005: 38–46. New York: SPIE.
- Vapnik, V. N. 1995. *The nature of statistical learning theory*. New York: Springer-Verlag.
- Yang, X., and W. H. Zhang. 2012. "Effective Steganalysis of YASS Based on Statistical Moments of Wavelet Characteristic Function and Markov Process." In *IEEE International Conference on Computer Science and Electronics Engineering*, Hangzhou, China, 23–25 March 2012: 606–610. New York: IEEE.



### Copyright Transfer Agreement

Paper Number:

Title: \_\_\_\_\_

Subject Index No.: \_\_\_\_\_ (Please refer to the JCIE website)

Author(s): \_\_\_\_\_

Journal Title: *Journal of the Chinese Institute of Engineers*

The authors confirm herein that this article is original and unpublished in any forms nor is being considered for publication elsewhere.

The copyright of this article is hereby transferred to the Journal of the Chinese Institute of Engineers (JCIE), effective upon acceptance for publication.

However, the following rights are reserved:

1. The right to use, free of charge, all or part of this article in future works of their own, such as books and lectures.
2. The right to reproduce the article for their own purposes provided that the copies are not offered for sale.

To be signed by the author or authorized agent:

“I represent and warrant that I am authorized to execute this copyright transfer of this article referred to the above.”

\_\_\_\_\_  
AUTHORIZED SIGNATURE

\_\_\_\_\_  
TITLE

\_\_\_\_\_  
AFFILIATIONS

\_\_\_\_\_  
DATE

# 中國工程學刊編輯委員會

---

**Journal of The Chinese Institute of Engineers, *Editorial Office***

Tel: +886-2-2737 6220, Fax: +886-2-2733 2789, E-mail: [jcie@mail.ntust.edu.tw](mailto:jcie@mail.ntust.edu.tw)

## JCIE Page Charge Form

Paper Number:

Title: \_\_\_\_\_

Subject Index No.: \_\_\_\_\_ (Please refer to the JCIE website)

Author(s): \_\_\_\_\_

Journal Title: *Journal of the Chinese Institute of Engineers*

## Page Charge

I understand that I should pay the required page charges once the manuscript is accepted for publication. The charges include:

- US\$200 (two hundred US Dollars) per accepted article .
- For color figures or tables, an additional cost will be charged. The cost, depending on the number of color figures/tables and the final editing result, will be given upon the acceptance of this paper for publication.

\_\_\_\_\_  
AUTHORIZED SIGNATURE

\_\_\_\_\_  
TITLE

\_\_\_\_\_  
AFFILIATIONS

\_\_\_\_\_  
DATE

---

Please complete and return this form to the *Editorial Office* via email or upload to submission system.  
Please note that your submission will not be processed until this form is received by the *Editorial Office*.